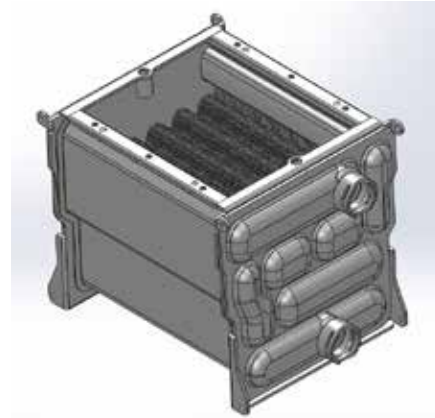


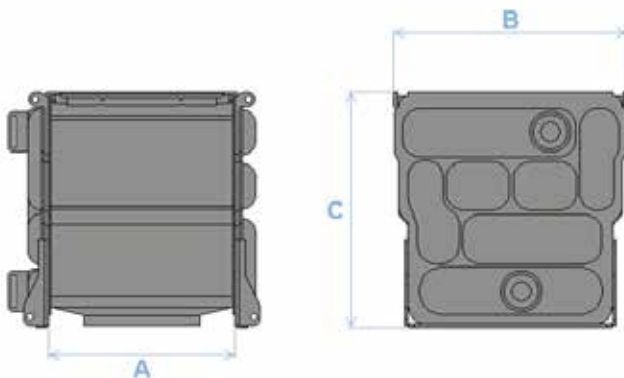
the world of heat

model ALUCOND aluminium condensing heat exchanger

Valmex realizes customized solutions according to customer's needs



data sheet



STANDARD MODELS

OVERALL DIMENSIONS (A)	OVERALL DIMENSIONS (B)	OVERALL DIMENSIONS (C)	THERMAL OUTPUT (MAX)
157 mm	197 mm	200 mm	20-25 kW
197 mm	197 mm	200 mm	25-30 kW

FUNCTIONAL CHARACTERISTICS

MAXIMUM WORKING PRESSURE	bar	3
MAXIMUM WORKING TEMPERATURE	°C	93
SURFACE TREATMENT	-	

ACCESSORIES

CONNECTION

Code 563440020E



CONNECTION

Code C113010005



CLIP (fast-on connection)

Code C090030001



GASKET

Code C090020001



FUME EXHAUST HOOD

Code C090010001

